



## DeviceMaster® RTS 16-Port RJ45 Rack Mount

Part Number: 99455-8

DEVICE SERVER



### KEY FEATURES AND BENEFITS::

- No serial cable distance limitations enables communication between a host PC and serial devices located anywhere across an Ethernet network
- RS-232, RS-422, or RS-485 software selectable
- Application compatibility supports native COM, TTY, or TCP/IP socket communication modes
- 120/240 VAC power supply with US and Euro power cords
- Web-based configuration makes setup and management changes quick and easy
- Real-time e-mail event notification alerts administrator of potential connection and security issues
- 1U rack mountable
- Wide operating temperature of -37° to 74°C
- PortVision® DX remote monitoring and management software
- Software developer kit available for users interested in writing custom applications to run on the DeviceMaster platform
- SSL & SSH management, SSL serial data stream encryption
- RoHS2 compliance under CE
- IPv6 support

### PRODUCT DESCRIPTION::

The Comtrol DeviceMaster RTS 16-Port Rack Mount is a 16-port device server designed for network-enabling serial communications devices. When used with the included NS-Link™ driver software and a host PC, the DeviceMaster RTS enables placement of COM or TTY ports anywhere on an Ethernet network or across the Internet. In

applications where connecting legacy serial devices to a PC without software changes is a requirement, a pair of DeviceMaster RTS units can be used to create a point-to-point serial tunnel across the network that seamlessly transfers serial data via TCP or UDP socket connections.



connect. communicate. control.

## DEVICEMASTER SPECIFICATIONS::

### HARDWARE

<b>Processor</b>	ARM7 44Mhz
<b>8MB RAM</b>	
<b>4MB Flash (Programmable)</b>	
<b>(1) 10/100 BASE-T Ethernet</b>	
<b>Enclosure</b>	Black Finished Steel
<b>Product Weight</b>	6.5 Lbs 2.95 kg
<b>Product Dimensions</b>	17.25" x 1.74" x 10.8" 43.82 x 4.42 x 27.43 cm

### LED Indicators

Status, Ethernet Link/Activity, Collision, 100MB Ethernet, RX/TX Per Port

**Surge Protection** 15KV

### ELECTRICAL SPECIFICATIONS

<b>Device Consumption</b>	14.3 Watts
<b>Internal Power Supply</b>	(Included)
<b>Input</b>	90 to 260 VAC @ 60Hz

### ENVIRONMENTAL SPECIFICATIONS

<b>Operating Temperature</b>	-37° to 74°C
<b>Storage Temperature</b>	-40° to 85°C
<b>Operating Humidity</b>	5% to 95%
<b>Altitude</b>	0 to 10,000 Ft
<b>Heat Output</b>	48.8 BTU/Hr
<b>MTBF (Mean time between failures)</b>	8.1 Years

### SERIAL COMMUNICATIONS

<b>Software-Selectable</b>	RS-232/422/485
<b>Baud Rates</b>	50bps to 230 Kbps
<b>Serial Connectors</b>	(16) RJ45
<b>Data Bits</b>	7 or 8
<b>Parity</b>	Odd, Even, None
<b>Stop Bits</b>	1 or 2

### DEVICE DRIVERS

Linux  
 Microsoft® Windows® 7  
 Microsoft® Windows® 2008 Server  
 Microsoft® Windows® Vista  
 Microsoft® Windows Server® 2003  
 Microsoft® Windows® XP  
 Microsoft® Windows NT® 4.0 (Legacy)  
 Microsoft® Windows® 2000 (Legacy)

### EXPORT INFORMATION

<b>Packaged Shipping Weight</b>	8.76lbs 3.97 kg
<b>Package Shipping Dimensions</b>	19.63" x 4" x 14" 49.86 x 10.16 x 35.56 cm
<b>UPC Code</b>	7-56727-99455-8
<b>ECCN</b>	5A992
<b>Schedule B Number</b>	8471.80.1000

### REGULATORY STANDARDS

**Immunity**  
 EN55024; EN61000-4-2, EN61000-4-3, EN61000-4-4, EN61000-4-5, EN61000-4-6, EN61000-4-8, EN61000-4-11, IEC 1000-4-2, IEC 1000-4-3, IEC 1000-4-4, IEC 1000-4-5, IEC 1000-4-6, IEC 1000-4-8, IEC 1000-4-11

**Emission**  
 EN55022 & A1:2000 IEC 1000-3-2, IEC 1000-3-3, CISPR-22, ICES-003,

**Safety**  
 EN60950, IEC 60950, CSA C22.2 No. 50/UL60950  
 RoHS2 compliant under CE

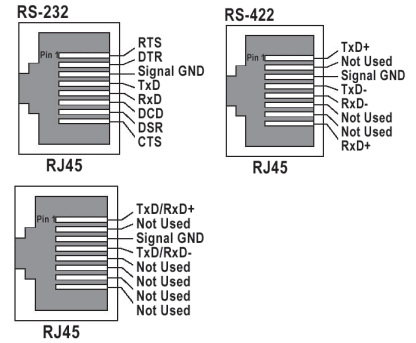
### FEATURES

Lowest Latency  
 NS-Link COM/TTY Port Redirector  
 PortVision Remote Management  
 TCP/IP & UDP Socket Services  
 Telnet  
 HTTP  
 SNMP  
 DHCP / RARP / ARP / BOOTP / Ping  
 Hardware & Software Flow Control  
 Watchdog Reset  
 Event Notification  
 RFC 1006  
 Supports IP multicast data transmission

### REGULATORY APPROVAL MARKS



### PIN ASSIGNMENTS



**Warranty Information**  
 Comtrol offers a 30-day satisfaction guarantee and 5-year limited warranty.

**Sales Support**  
 +1.763.957.6000  
 sales@comtrol.com

**Technical Support**  
 +1.763.957.6000  
 www.comtrol.com/support

**Email, FTP, and Web Support**  
 info@comtrol.com  
 ftp.comtrol.com  
 www.comtrol.com